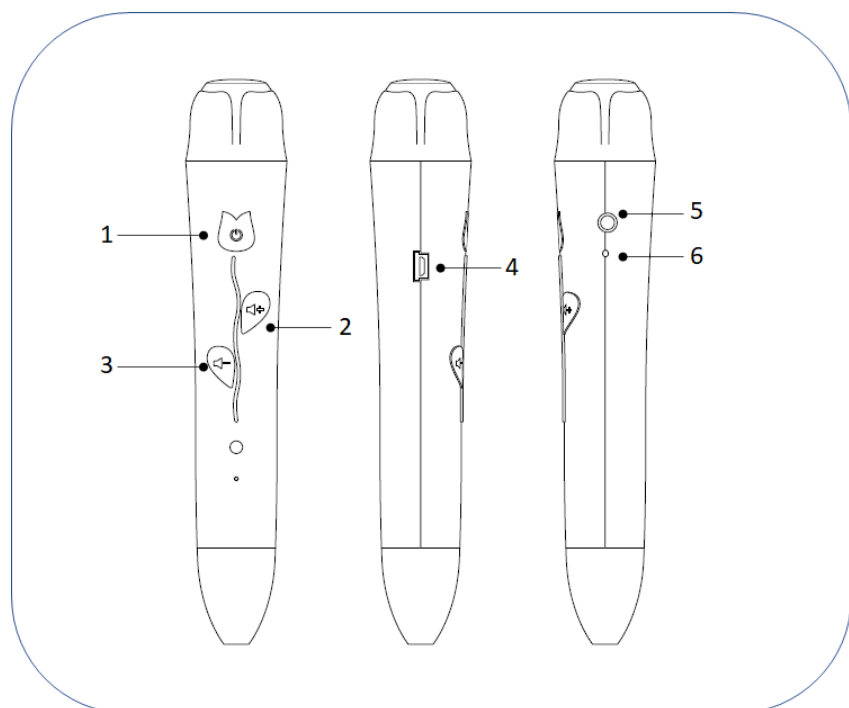


點讀筆使用說明



功能說明

1. 開關按鈕
長按開啓或關上點讀筆電源。
2. 音量 (+)
按一下調高音量。
3. 音量 (-)
按一下調低音量。
4. MICRO USB 插口
5. 3.5mm 耳機插口
6. 重置按鈕

基本操作

- 長按開關按鈕開啓點讀筆電源，開啟後指示燈會保持亮起。
- 點讀圖書內容前，先點一下相關圖書封面。
- 長按開關按鈕關上電源，關上後指示燈會熄滅。
- 音量調節
 - 按音量按鈕 (-) 一下，可調低一個音量等級。
 - 按音量按鈕 (+) 一下，可調高一個音量等級。
 - 共有 5 個音量等級。
- 如閒置超過 6 分鐘，點讀筆會自動關上電源。
- 充電方法
 - 使用包裝盒內隨附的 MICRO USB 連接線，一邊連接點讀筆的 USB 插口，一邊連接電腦或 USB 充電器。
 - 充電時，指示燈會持續閃動。充電完畢後，指示燈會長亮。
 - USB 充電器輸出要求為 DC 5V / 500mA。

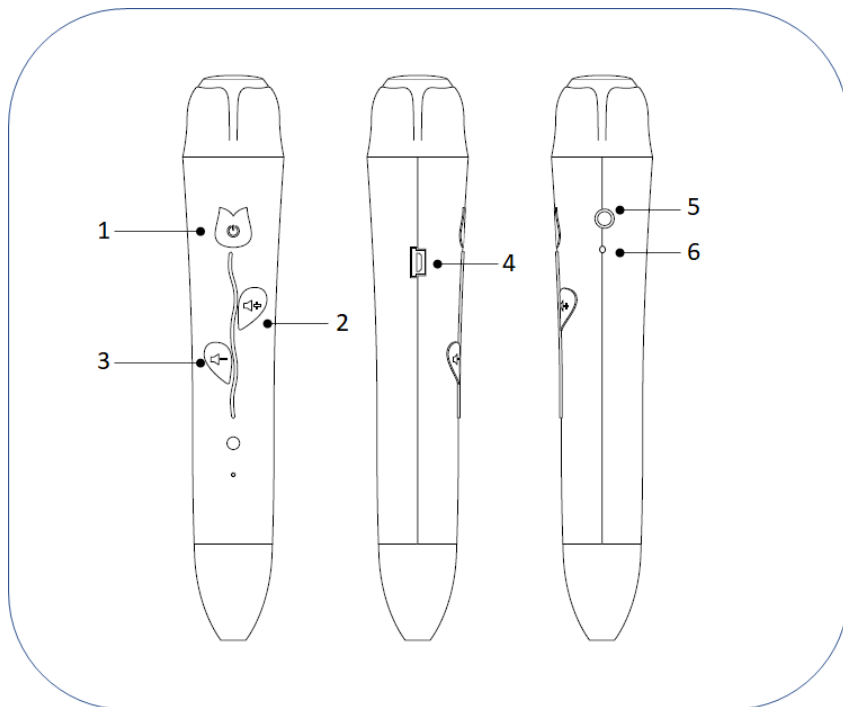
使用注意事項

- 避免從高處摔下點讀筆。
- 避免放置點讀筆於陽光直照之下，水中或潮溼地方，以免造成損壞。
- 可使用微濕的抹布清潔點讀筆，但切勿使用清潔劑或其他化學用品。
- 將點讀筆交予兒童前請先拆除或棄掉所有包裝。
- 請勿任意改裝或維修點讀筆。
- 點讀筆內置充電電池，不可拆卸及更換。
- 點讀筆應由成人或在成人監護下，使用合適的充電器充電。
- 充電前，必須檢查點讀筆外殼、USB 傳輸線有否損壞，如發現損壞應立即停止使用。

警告

- ❖ 本產品含有小配件，可導致兒童窒息，不適合 3 歲以下兒童使用。
- ❖ 本產品附有長傳輸線，可導致兒童窒息，不適合 3 歲以下兒童使用。
- ❖ 點讀筆並非玩具，為避免導致產品損壞或引起任何安全問題，請按照本使用說明所列出的方法使用，並保留本使用說明供日後參考之用。

Reading Pen User Guide



Function description

1. On/Off button
Press and hold this button a few seconds to turn on or off the reading pen.
2. Volume (+)
Press this button to increase one volume level.
3. Volume (-)
Press this button to reduce one volume level.
4. MIRCOSOCKET
5. 3.5mm audio socket
6. Reset button

Basic operations

- Press and hold the on/off button a few seconds to power on the pen. The LED light will stay on.
- Before tapping any book content, user should tap the book cover first.
- Press and hold the on /off button a few seconds to power off the pen. The LED light will go off.
- Volume adjustment
 - Press volume (-) button to reduce one volume level.
 - Press volume (+) button to increase one volume level.
 - There are five volume levels.
- The pen will turn off automatically when it is idle for more than 6 minutes.
- Battery charging
 - Connect the USB port of the pen into a USB charger (or a computer USB port) with the MIRCOSOCKET cable included in the package box.
 - During the battery charging process, the LED light will keep blinking.
 - The LED light will stay on when the battery is fully charged.
 - The USB charger output is DC 5V / 500mA.

Product safety

- Do not drop or throw the pen.
- To avoid damage the pen, keep it out of direct sunlight, water, or humid places.
- Clean the pen with a slightly damp cloth. Do not clean with soap or detergent.
- Remove or dispose all packaging before giving to children.
- Do not attempt to fix or modify the product.
- Do not replace or remove the built-in recharging battery.
- Use appropriate USB charger for battery charging. Adult operation is required.
- Before battery charging, check both pen casing and USB cable. Do not use if there is any damage.

Warning

- ❖ Not suitable for children under 3 years due to small parts. Choking hazard.
- ❖ Not suitable for children under 3 years due to long cable. Strangulation hazard.
- ❖ Reading Pen is not a toy. To avoid damage to the product and any potential safety hazards, please read all the safety information and instructions thoroughly before using *reading pen*, and retain this user guide for future reference.